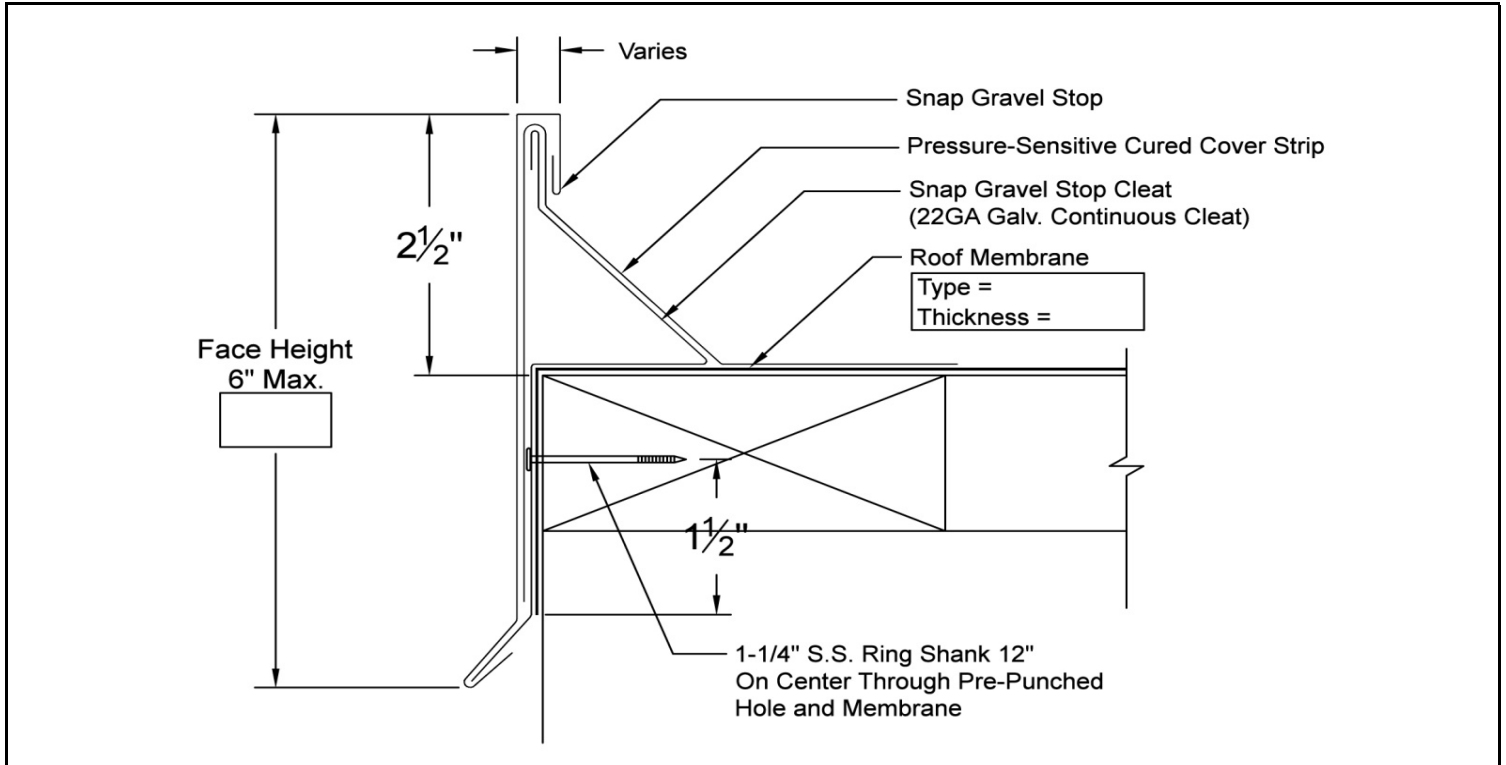


Snap Gravel Stop

UNIVERSAL METAL SYSTEMS

ANSI/SPRI ES-1 CERTIFIED: .040" Aluminum = 75 psf, 24ga Steel = 90 psf

FABRICATION DETAIL



CAP MATERIAL:

- Aluminum
 - 0.032
 - 0.040
 - 0.050
 - 0.063
- Steel
 - 22 GA
 - 24 GA
- Stainless Steel
 - _____
- Other
 - _____

CLEAT MATERIAL:

- Steel
 - 22 GA
 - 24 GA
 - Other: _____

ACCESSORY TYPE:

- Welded
*Surcharge Applies
- Riveted
- Other: _____

CAP FINISH:

- Mil Finish
- Pre-Finished Kynar
- Pre-Finished Anodized
- Other: _____

COLOR:
Manufacturer: _____

Color Name: _____
Color Number: _____

QUANTITIES:

- Total LF: _____
- LF per Piece: _____
- Outside Miters: _____ Welded
*Surcharge Applies
- Inside Miters: _____ Welded
*Surcharge Applies
- Right End Caps: _____ Welded
*Surcharge Applies
- Left End Caps: _____ Welded
*Surcharge Applies
- Splice Plates: _____

PROJECT:

Project Name: _____

Project Number: _____

Location: _____

Architect: _____

Contractor: _____

Representative: _____

PRINT APPROVAL:

Architect, Contractor and/or Representative shall verify all dimensions, sizes, and quantities. All products to be installed in strict accordance with Universal Metal Systems printed instructions.

Approved by: _____
Signature

Print Name

Date: _____



1404 East 12th Street
Erie, PA 16503
(814) 456-4867
www.universalmetalsystems.com